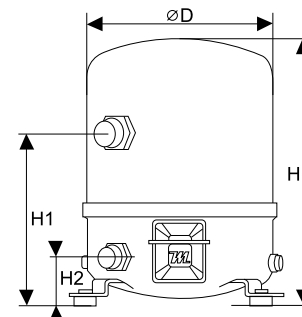


Maneurop reciprocating compressors

General Characteristics

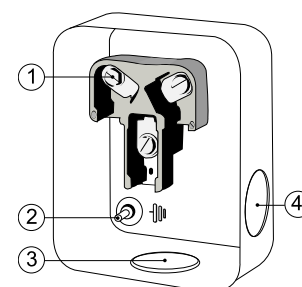
Model number (on compressor nameplate)		LTZ44HM6AVE
Code number for Singlepack*		LTZ44-6VI
Code number for Industrial pack**		LTZ44-6VM
Drawing number		8502011e
Suction and discharge connections		Rotolock
Suction connection		1-3/4 " Rotolock
Discharge connection		1-1/4 " Rotolock
Suction connection with supplied sleeve		7/8 " ODF
Discharge connection with supplied sleeve		3/4 " ODF
Oil sight glass		Threaded
Oil equalisation connection		3/8" flare SAE
Oil drain connection		None
LP gauge port		Schrader
IPR valve		30 bar / 8 bar
Cylinders		2
Swept volume		107.71 cm ³ /rev
Displacement @ Nominal speed		18.7 m ³ /h @ 2900 rpm
Net weight		35 kg
Oil charge		1.8 litre, POE - 160Z
Maximum system test pressure Low Side / High side		25 bar(g) / 30 bar(g)
Maximum differential test pressure		30 bar
Maximum number of starts per hour		12
Refrigerant charge limit		5 kg
Approved refrigerants		R404A - R507A

Dimensions


D=288 mm
H=413 mm
H1=265 mm
H2=74 mm

Electrical Characteristics

Nominal voltage	230V/3/50Hz
Voltage range	207-253 V
Winding resistance (between phases) +/- 7% at 25°C	1.3 Ω
Maximum Continuous Current (MCC)	18 A
Locked Rotor Amps (LRA)	77 A
Motor protection	Internal overload protector

Terminal box

Recommended Installation torques

Oil sight glass	50 Nm
Power connections / Earth connection	3 Nm / 2 Nm
Mounting bolts	15 Nm

Parts shipped with compressor

Mounting kit with grommets, bolts, nuts, sleeves and washers
Suction & Discharge solder sleeves, rotolock nuts and gaskets (shipped with rotolock version only)
Initial oil charge
Installation instructions

IP54 (with cable gland)

- 1: Screw connectors 10-32 UNF x 9.5
- 2: Earth M4-12, torque 2 Nm (17 in.lb)
- 3: Knock-out Ø 29 mm (1.14")
- 4: Hole Ø 29 mm (1.14")

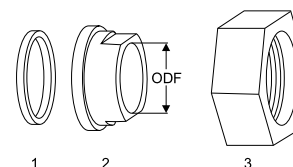
Approvals : CE certified, -, -

*Singlepack: Compressor in cardboard box

**Industrial pack: 6 Unboxed compressors on pallet (order per multiples of 6)

Rotolock accessories, suction side
Code no.

"Solder sleeve, P07 (1-3/4" Rotolock, 7/8" ODF)"	8153013
"Angle adapter, C07 (1-3/4" Rotolock, 7/8" ODF)"	8168008
"Rotolock valve, V07 (1-3/4" Rotolock, 7/8" ODF)"	8168032
"Gasket, 1-3/4"	8156132

Gaskets, sleeves and nuts


- 1: Gasket
- 2: Solder sleeve
- 3: Rotolock nut

Rotolock accessories, discharge side
Code no.

"Solder sleeve, P04 (1-1/4" Rotolock, 3/4" ODF)"	8153008
"Angle adapter, C04 (1-1/4" Rotolock, 3/4" ODF)"	8168006
"Rotolock valve, V04 (1-1/4" Rotolock, 3/4" ODF)"	8168029
"Gasket, 1-1/4"	8156131

Rotolock accessories, sets
Code no.

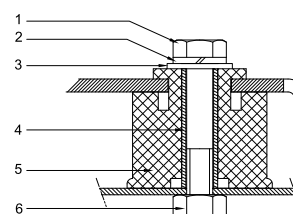
"Angle adapter set, C07 (1-3/4"~7/8"), C04 (1-1/4"~3/4)"	7703013
"Valve set, V07 (1-3/4"~7/8"), V04 (1-1/4"~3/4)"	7703006
"Gasket set, 1", 1-1/4", 1-3/4", OSG gaskets black & white"	8156009

Oil / lubricants
Code no.

POE lubricant, 160Z, 1 litre can	7754025
POE lubricant, 160Z, 2 litre can	7754026

Crankcase heaters
Code no.

PTC crankcase heater, 35 W, incl. heat transfer paste	7773001
PTC crankcase heater, 35 W, mounting without paste	7773125
Belt type crankcase heater, 65 W, 110 V, CE mark, UL	7773109
Belt type crankcase heater, 65 W, 230 V, CE mark, UL	7773107
Belt type crankcase heater, 50 W, 110 V, UL	7773010
Belt type crankcase heater, 50 W, 240 V, UL	7773003

Mounting kit


- 1: Bolt (3x)
- 2: Lock washer (3x)
- 3: Flat washer (3x)
- 4: Sleeve (3x)
- 5: Grommet (3x)
- 6: Nut (3x)

Miscellaneous accessories
Code no.

Acoustic hood for 2 cylinder compressor	7755002
Oil equalisation nut	8153127

Spare parts
Code no.

Mounting kit with bolts for 1 and 2 cylinder compressor	8156001
Sight glass with gaskets (black & white)	8156019
"Gasket for oil sight glass, 1-1/8" (black chloroprene)"	8156145
Cover + clamp for terminal box 96 x 115 mm	8156135
T block connector 52 x 57 mm	8173230

Performance data at 50 Hz, EN 12900 rating conditions
R404A

Cond. temp. in °C (tc)	Evaporating temperature in °C (to)							
	-45	-40	-35	-30	-25	-20		

Cooling capacity in W

30	856	1 566	2 461	3 569	4 917	6 534	-	-	-
35	619	1 285	2 121	3 156	4 418	5 934	-	-	-
40	381	996	1 767	2 724	3 892	5 302	-	-	-
45	153	710	1 410	2 280	3 350	4 645	-	-	-
50	-	437	1 059	1 837	2 800	3 975	-	-	-
55	-	187	724	1 403	2 254	3 302	-	-	-
60	-	-	415	990	1 720	2 635	-	-	-

Power input in W

30	1 507	1 944	2 358	2 735	3 064	3 331	-	-	-
35	1 414	1 888	2 344	2 768	3 149	3 472	-	-	-
40	1 291	1 804	2 303	2 775	3 208	3 588	-	-	-
45	1 134	1 687	2 230	2 751	3 237	3 675	-	-	-
50	-	1 532	2 120	2 691	3 232	3 729	-	-	-
55	-	1 336	1 971	2 592	3 188	3 746	-	-	-
60	-	-	1 776	2 449	3 102	3 721	-	-	-

Current consumption in A

30	10.45	11.43	12.42	13.32	14.04	14.49	-	-	-
35	10.14	11.17	12.28	13.36	14.34	15.10	-	-	-
40	9.91	10.95	12.13	13.36	14.54	15.59	-	-	-
45	9.76	10.76	11.97	13.30	14.65	15.92	-	-	-
50	-	10.58	11.78	13.17	14.64	16.10	-	-	-
55	-	10.39	11.53	12.93	14.48	16.09	-	-	-
60	-	-	11.22	12.58	14.17	15.89	-	-	-

Mass flow in kg/h

30	30	53	80	113	151	196	-	-	-
35	24	47	74	107	146	191	-	-	-
40	16	40	67	100	139	184	-	-	-
45	8	31	59	92	131	175	-	-	-
50	-	22	50	82	121	166	-	-	-
55	-	11	39	71	110	154	-	-	-
60	-	-	26	59	97	141	-	-	-

Coefficient of performance (C.O.P.)

30	0.57	0.81	1.04	1.30	1.60	1.96	-	-	-
35	0.44	0.68	0.90	1.14	1.40	1.71	-	-	-
40	0.30	0.55	0.77	0.98	1.21	1.48	-	-	-
45	0.13	0.42	0.63	0.83	1.03	1.26	-	-	-
50	-	0.29	0.50	0.68	0.87	1.07	-	-	-
55	-	0.14	0.37	0.54	0.71	0.88	-	-	-
60	-	-	0.23	0.40	0.55	0.71	-	-	-

Nominal performance at to = -35 °C, tc = 40 °C

Cooling capacity	1 767	W
Power input	2 303	W
Current consumption	12.13	A
Mass flow	67	kg/h
C.O.P.	0.77	

Pressure switch settings

Maximum HP switch setting	27.7	bar(g)
Minimum LP switch setting	0.1	bar(g)
LP pump down setting	0.1	bar(g)

Sound power data

Sound power level	85	dB(A)
With acoustic hood	79	dB(A)

to: Evaporating temperature at dew point

tc: Condensing temperature at dew point

Rating conditions : Superheat = 10 K , Subcooling = 0 K

All performance data +/- 5%

Performance data at 50 Hz, ARI rating conditions

R404A

Cond. temp. in °C (tc)	Evaporating temperature in °C (to)							
	-45	-40	-35	-30	-25	-20		

Cooling capacity in W

30	962	1 754	2 748	3 973	5 459	7 235	-	-	-
35	704	1 455	2 395	3 551	4 955	6 636	-	-	-
40	440	1 145	2 023	3 105	4 421	6 000	-	-	-
45	180	831	1 642	2 643	3 865	5 336	-	-	-
50	-	524	1 262	2 176	3 298	4 657	-	-	-
55	-	232	891	1 714	2 731	3 973	-	-	-
60	-	-	537	1 265	2 175	3 300	-	-	-

Power input in W

30	1 507	1 944	2 358	2 735	3 064	3 331	-	-	-
35	1 414	1 888	2 344	2 768	3 149	3 472	-	-	-
40	1 291	1 804	2 303	2 775	3 208	3 588	-	-	-
45	1 134	1 687	2 230	2 751	3 237	3 675	-	-	-
50	-	1 532	2 120	2 691	3 232	3 729	-	-	-
55	-	1 336	1 971	2 592	3 188	3 746	-	-	-
60	-	-	1 776	2 449	3 102	3 721	-	-	-

Current consumption in A

30	10.45	11.43	12.42	13.32	14.04	14.49	-	-	-
35	10.14	11.17	12.28	13.36	14.34	15.10	-	-	-
40	9.91	10.95	12.13	13.36	14.54	15.59	-	-	-
45	9.76	10.76	11.97	13.30	14.65	15.92	-	-	-
50	-	10.58	11.78	13.17	14.64	16.10	-	-	-
55	-	10.39	11.53	12.93	14.48	16.09	-	-	-
60	-	-	11.22	12.58	14.17	15.89	-	-	-

Mass flow in kg/h

30	30	53	80	112	150	195	-	-	-
35	23	47	74	107	145	189	-	-	-
40	16	39	67	100	138	183	-	-	-
45	8	31	59	92	130	174	-	-	-
50	-	21	49	82	120	165	-	-	-
55	-	11	38	71	109	153	-	-	-
60	-	-	26	59	96	140	-	-	-

Coefficient of performance (C.O.P.)

30	0.64	0.90	1.17	1.45	1.78	2.17	-	-	-
35	0.50	0.77	1.02	1.28	1.57	1.91	-	-	-
40	0.34	0.63	0.88	1.12	1.38	1.67	-	-	-
45	0.16	0.49	0.74	0.96	1.19	1.45	-	-	-
50	-	0.34	0.60	0.81	1.02	1.25	-	-	-
55	-	0.17	0.45	0.66	0.86	1.06	-	-	-
60	-	-	0.30	0.52	0.70	0.89	-	-	-

Nominal performance at to = -35 °C, tc = 40 °C

Cooling capacity	2 023	W
Power input	2 303	W
Current consumption	12.13	A
Mass flow	67	kg/h
C.O.P.	0.88	

Pressure switch settings

Maximum HP switch setting	27.7	bar(g)
Minimum LP switch setting	0.1	bar(g)
LP pump down setting	0.1	bar(g)

Sound power data

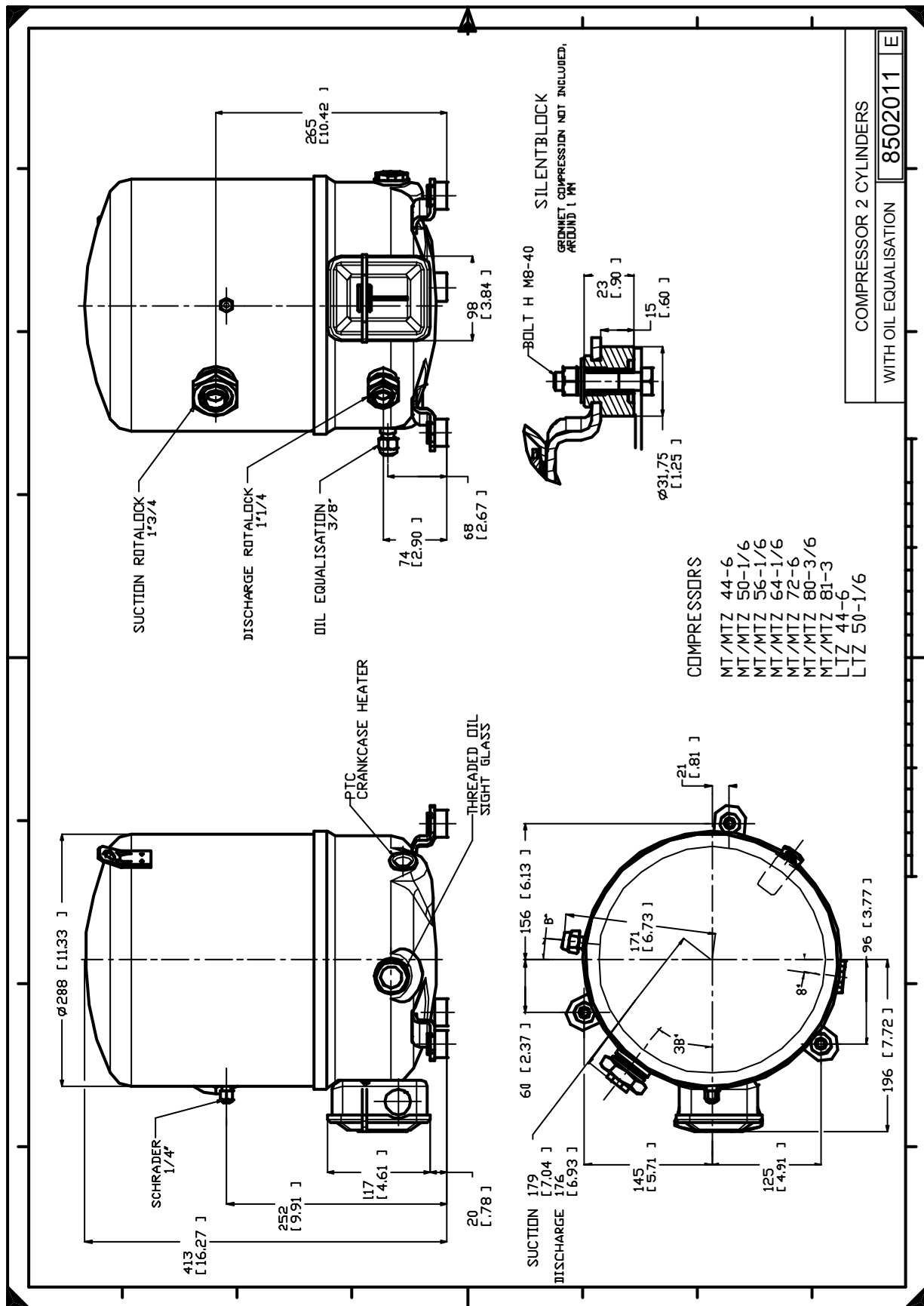
Sound power level	85	dB(A)
With acoustic hood	79	dB(A)

to: Evaporating temperature at dew point

tc: Condensing temperature at dew point

Rating conditions : Superheat = 11.1 K , Subcooling = 8.3 K

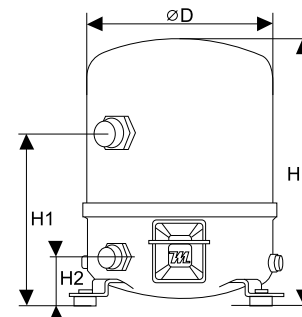
All performance data +/- 5%



Danfoss can accept no responsibility for possible errors in catalogues, brochures and other printed material. Danfoss reserves the right to alter its products without notice. This also applies to products already on order provided that such alternations can be made without subsequential changes being necessary in specifications already agreed. All trademarks in this material are property of the respective companies. Danfoss, the Danfoss logotype and Maneurop are trademarks of Danfoss A/S. All rights reserved.

General Characteristics

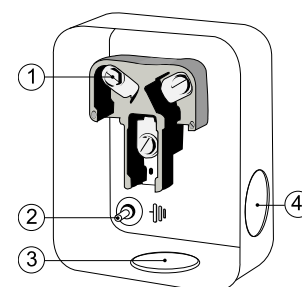
Model number (on compressor nameplate)		LTZ50HP6AVE
Code number for Singlepack*		LTZ50-6VI
Code number for Industrial pack**		LTZ50-6VM
Drawing number		8502011e
Suction and discharge connections		Rotolock
Suction connection		1-3/4 " Rotolock
Discharge connection		1-1/4 " Rotolock
Suction connection with supplied sleeve		1-1/8 " ODF
Discharge connection with supplied sleeve		3/4 " ODF
Oil sight glass		Threaded
Oil equalisation connection		3/8" flare SAE
Oil drain connection		None
LP gauge port		Schrader
IPR valve		30 bar / 8 bar
Cylinders		2
Swept volume		135.78 cm ³ /rev
Displacement @ Nominal speed		23.6 m ³ /h @ 2900 rpm
Net weight		35 kg
Oil charge		1.8 litre, POE - 160Z
Maximum system test pressure Low Side / High side		25 bar(g) / 30 bar(g)
Maximum differential test pressure		30 bar
Maximum number of starts per hour		12
Refrigerant charge limit		5 kg
Approved refrigerants		R404A - R507A

Dimensions


D=288 mm
H=413 mm
H1=265 mm
H2=74 mm

Electrical Characteristics

Nominal voltage	230V/3/50Hz
Voltage range	207-253 V
Winding resistance (between phases) +/- 7% at 25°C	1.12 Ω
Maximum Continuous Current (MCC)	20.5 A
Locked Rotor Amps (LRA)	72 A
Motor protection	Internal overload protector

Terminal box


IP54 (with cable gland)

- 1: Screw connectors 10-32 UNF x 9.5
- 2: Earth M4-12, torque 2 Nm (17 in.lb)
- 3: Knock-out Ø 29 mm (1.14")
- 4: Hole Ø 29 mm (1.14")

Recommended Installation torques

Oil sight glass	50 Nm
Power connections / Earth connection	3 Nm / 2 Nm
Mounting bolts	15 Nm

Parts shipped with compressor

Mounting kit with grommets, bolts, nuts, sleeves and washers
Suction & Discharge solder sleeves, rotolock nuts and gaskets (shipped with rotolock version only)
Initial oil charge
Installation instructions

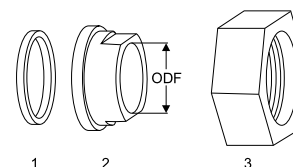
Approvals : CE certified, -, -

*Singlepack: Compressor in cardboard box

**Industrial pack: 6 Unboxed compressors on pallet (order per multiples of 6)

Rotolock accessories, suction side
Code no.

"Solder sleeve, P02 (1-3/4" Rotolock, 1-1/8" ODF)"	8153004
"Angle adapter, C02 (1-3/4" Rotolock, 1-1/8" ODF)"	8168005
"Rotolock valve, V02 (1-3/4" Rotolock, 1-1/8" ODF)"	8168028
"Gasket, 1-3/4"	8156132

Gaskets, sleeves and nuts


- 1: Gasket
- 2: Solder sleeve
- 3: Rotolock nut

Rotolock accessories, discharge side
Code no.

"Solder sleeve, P04 (1-1/4" Rotolock, 3/4" ODF)"	8153008
"Angle adapter, C04 (1-1/4" Rotolock, 3/4" ODF)"	8168006
"Rotolock valve, V04 (1-1/4" Rotolock, 3/4" ODF)"	8168029
"Gasket, 1-1/4"	8156131

Rotolock accessories, sets
Code no.

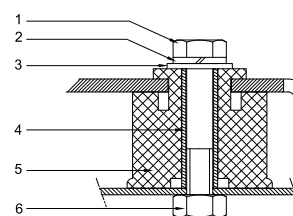
"Angle adapter set, C02 (1-3/4"~1-1/8"), C04 (1-1/4"~3/4)"	7703014
"Valve set, V02 (1-3/4"~1-1/8"), V04 (1-1/4"~3/4)"	7703009
"Gasket set, 1", 1-1/4", 1-3/4", OSG gaskets black & white"	8156009

Oil / lubricants
Code no.

POE lubricant, 160Z, 1 litre can	7754025
POE lubricant, 160Z, 2 litre can	7754026

Crankcase heaters
Code no.

PTC crankcase heater, 35 W, incl. heat transfer paste	7773001
PTC crankcase heater, 35 W, mounting without paste	7773125
Belt type crankcase heater, 65 W, 110 V, CE mark, UL	7773109
Belt type crankcase heater, 65 W, 230 V, CE mark, UL	7773107
Belt type crankcase heater, 50 W, 110 V, UL	7773010
Belt type crankcase heater, 50 W, 240 V, UL	7773003

Mounting kit


- 1: Bolt (3x)
- 2: Lock washer (3x)
- 3: Flat washer (3x)
- 4: Sleeve (3x)
- 5: Grommet (3x)
- 6: Nut (3x)

Miscellaneous accessories
Code no.

Acoustic hood for 2 cylinder compressor	7755002
Oil equalisation nut	8153127

Spare parts
Code no.

Mounting kit with bolts for 1 and 2 cylinder compressor	8156001
Sight glass with gaskets (black & white)	8156019
"Gasket for oil sight glass, 1-1/8" (black chloroprene)"	8156145
Cover + clamp for terminal box 96 x 115 mm	8156135
T block connector 52 x 57 mm	8173230

Performance data at 50 Hz, EN 12900 rating conditions

R404A

Cond. temp. in °C (tc)	Evaporating temperature in °C (to)							
	-45	-40	-35	-30	-25	-20		

Cooling capacity in W

30	1 426	2 330	3 450	4 816	6 455	8 397	-	-	-
35	1 106	1 956	3 009	4 293	5 837	7 670	-	-	-
40	791	1 579	2 556	3 750	5 190	6 905	-	-	-
45	490	1 207	2 100	3 196	4 524	6 113	-	-	-
50	-	852	1 652	2 641	3 849	5 303	-	-	-
55	-	522	1 220	2 095	3 174	4 485	-	-	-
60	-	-	816	1 567	2 509	3 669	-	-	-

Power input in W

30	2 216	2 644	3 068	3 493	3 928	4 378	-	-	-
35	2 114	2 587	3 064	3 550	4 052	4 577	-	-	-
40	1 991	2 511	3 041	3 589	4 160	4 761	-	-	-
45	1 835	2 403	2 989	3 599	4 240	4 919	-	-	-
50	-	2 252	2 894	3 568	4 280	5 038	-	-	-
55	-	2 044	2 744	3 483	4 268	5 106	-	-	-
60	-	-	2 526	3 332	4 191	5 110	-	-	-

Current consumption in A

30	11.69	12.27	13.22	14.36	15.51	16.51	-	-	-
35	11.62	12.19	13.19	14.44	15.76	16.97	-	-	-
40	11.53	12.11	13.16	14.53	16.02	17.46	-	-	-
45	11.37	11.96	13.09	14.57	16.24	17.92	-	-	-
50	-	11.70	12.90	14.52	16.38	18.30	-	-	-
55	-	11.28	12.56	14.32	16.38	18.55	-	-	-
60	-	-	12.01	13.92	16.18	18.61	-	-	-

Mass flow in kg/h

30	49	78	112	152	198	252	-	-	-
35	41	71	105	146	192	246	-	-	-
40	32	62	97	138	185	239	-	-	-
45	22	53	88	129	176	231	-	-	-
50	-	42	77	118	166	221	-	-	-
55	-	29	65	106	154	209	-	-	-
60	-	-	51	93	141	196	-	-	-

Coefficient of performance (C.O.P.)

30	0.64	0.88	1.12	1.38	1.64	1.92	-	-	-
35	0.52	0.76	0.98	1.21	1.44	1.68	-	-	-
40	0.40	0.63	0.84	1.04	1.25	1.45	-	-	-
45	0.27	0.50	0.70	0.89	1.07	1.24	-	-	-
50	-	0.38	0.57	0.74	0.90	1.05	-	-	-
55	-	0.26	0.44	0.60	0.74	0.88	-	-	-
60	-	-	0.32	0.47	0.60	0.72	-	-	-

Nominal performance at to = -35 °C, tc = 40 °C

Cooling capacity	2 556	W
Power input	3 041	W
Current consumption	13.16	A
Mass flow	97	kg/h
C.O.P.	0.84	

Pressure switch settings

Maximum HP switch setting	27.7	bar(g)
Minimum LP switch setting	0.1	bar(g)
LP pump down setting	0.1	bar(g)

Sound power data

Sound power level	83	dB(A)
With acoustic hood	77	dB(A)

to: Evaporating temperature at dew point

tc: Condensing temperature at dew point

Rating conditions : Superheat = 10 K , Subcooling = 0 K

All performance data +/- 5%

Performance data at 50 Hz, ARI rating conditions

R404A

Cond. temp. in °C (tc)	Evaporating temperature in °C (to)							
	-45	-40	-35	-30	-25	-20		

Cooling capacity in W

30	1 602	2 609	3 851	5 361	7 166	9 298	-	-	-
35	1 258	2 216	3 397	4 830	6 547	8 576	-	-	-
40	914	1 815	2 925	4 275	5 895	7 814	-	-	-
45	577	1 414	2 446	3 704	5 220	7 023	-	-	-
50	-	1 023	1 969	3 128	4 533	6 213	-	-	-
55	-	648	1 502	2 558	3 845	5 397	-	-	-
60	-	-	1 055	2 002	3 172	4 595	-	-	-

Power input in W

30	2 216	2 644	3 068	3 493	3 928	4 378	-	-	-
35	2 114	2 587	3 064	3 550	4 052	4 577	-	-	-
40	1 991	2 511	3 041	3 589	4 160	4 761	-	-	-
45	1 835	2 403	2 989	3 599	4 240	4 919	-	-	-
50	-	2 252	2 894	3 568	4 280	5 038	-	-	-
55	-	2 044	2 744	3 483	4 268	5 106	-	-	-
60	-	-	2 526	3 332	4 191	5 110	-	-	-

Current consumption in A

30	11.69	12.27	13.22	14.36	15.51	16.51	-	-	-
35	11.62	12.19	13.19	14.44	15.76	16.97	-	-	-
40	11.53	12.11	13.16	14.53	16.02	17.46	-	-	-
45	11.37	11.96	13.09	14.57	16.24	17.92	-	-	-
50	-	11.70	12.90	14.52	16.38	18.30	-	-	-
55	-	11.28	12.56	14.32	16.38	18.55	-	-	-
60	-	-	12.01	13.92	16.18	18.61	-	-	-

Mass flow in kg/h

30	49	78	112	151	197	250	-	-	-
35	41	70	105	145	191	245	-	-	-
40	32	62	97	137	184	238	-	-	-
45	22	52	87	128	175	229	-	-	-
50	-	41	77	118	165	220	-	-	-
55	-	29	65	106	153	208	-	-	-
60	-	-	51	92	140	195	-	-	-

Coefficient of performance (C.O.P.)

30	0.72	0.99	1.26	1.53	1.82	2.12	-	-	-
35	0.60	0.86	1.11	1.36	1.62	1.87	-	-	-
40	0.46	0.72	0.96	1.19	1.42	1.64	-	-	-
45	0.31	0.59	0.82	1.03	1.23	1.43	-	-	-
50	-	0.45	0.68	0.88	1.06	1.23	-	-	-
55	-	0.32	0.55	0.73	0.90	1.06	-	-	-
60	-	-	0.42	0.60	0.76	0.90	-	-	-

Nominal performance at to = -35 °C, tc = 40 °C

Cooling capacity	2 925	W
Power input	3 041	W
Current consumption	13.16	A
Mass flow	97	kg/h
C.O.P.	0.96	

Pressure switch settings

Maximum HP switch setting	27.7	bar(g)
Minimum LP switch setting	0.1	bar(g)
LP pump down setting	0.1	bar(g)

Sound power data

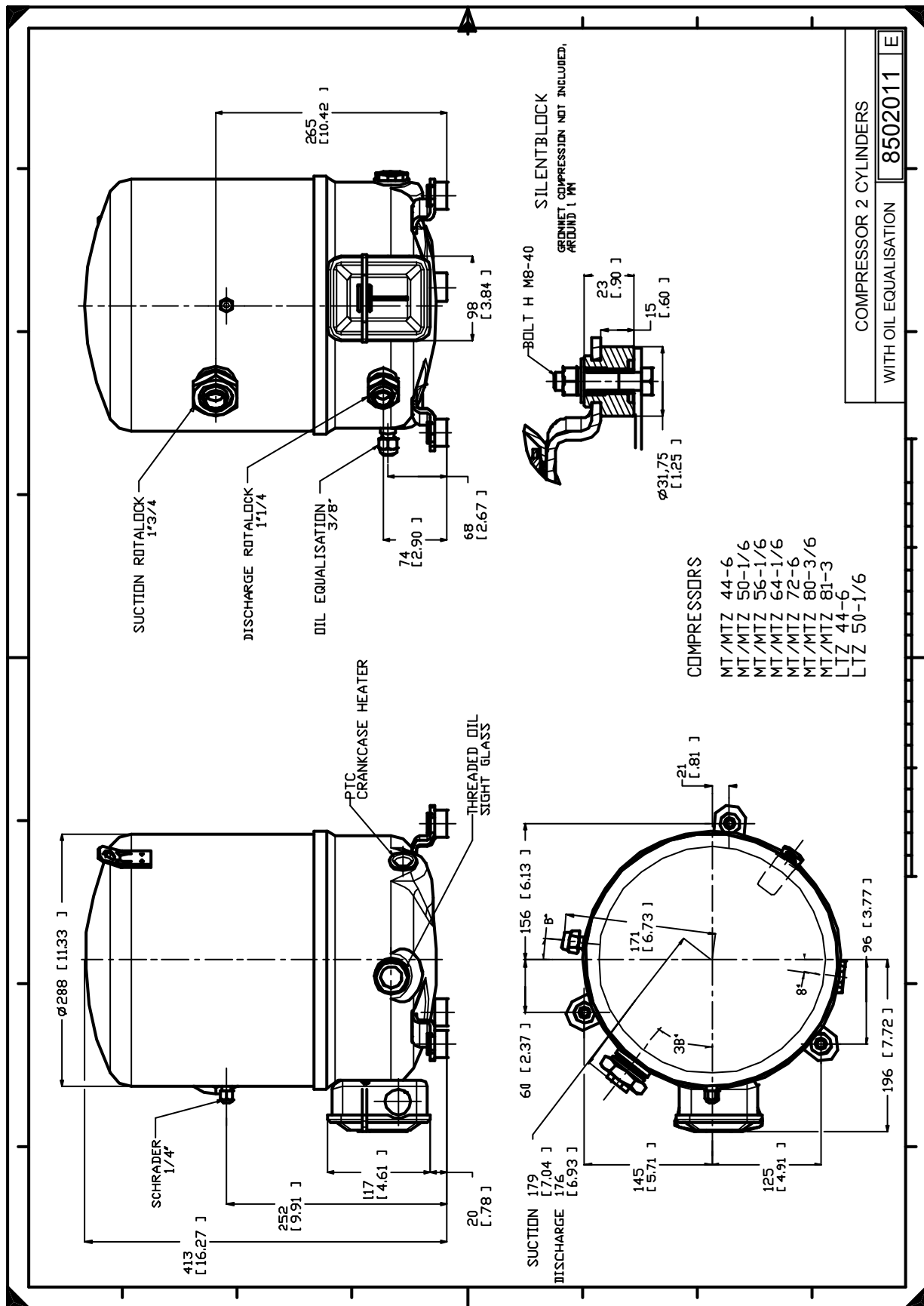
Sound power level	83	dB(A)
With acoustic hood	77	dB(A)

to: Evaporating temperature at dew point

tc: Condensing temperature at dew point

Rating conditions : Superheat = 11.1 K , Subcooling = 8.3 K

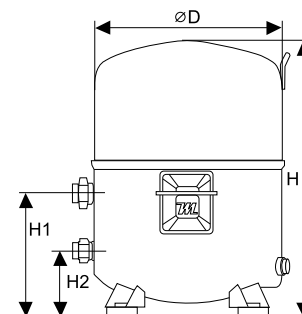
All performance data +/- 5%



Danfoss can accept no responsibility for possible errors in catalogues, brochures and other printed material. Danfoss reserves the right to alter its products without notice. This also applies to products already on order provided that such alternations can be made without subsequential changes being necessary in specifications already agreed. All trademarks in this material are property of the respective companies. Danfoss, the Danfoss logotype and Maneurop are trademarks of Danfoss A/S. All rights reserved.

General Characteristics

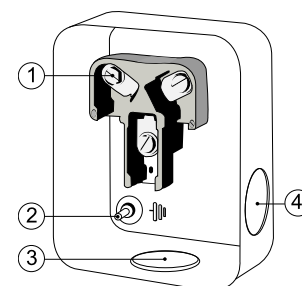
Model number (on compressor nameplate)		LTZ88HU6VE
Code number for Singlepack*		LTZ88-6VI
Code number for Industrial pack**		LTZ88-6VM
Drawing number		8504010e
Suction and discharge connections		Rotolock
Suction connection		1-3/4 " Rotolock
Discharge connection		1-1/4 " Rotolock
Suction connection with supplied sleeve		1-1/8 " ODF
Discharge connection with supplied sleeve		3/4 " ODF
Oil sight glass		Threaded
Oil equalisation connection		3/8" flare SAE
Oil drain connection		None
LP gauge port		Schrader
IPR valve		30 bar / 8 bar
Cylinders		4
Swept volume		215.44 cm ³ /rev
Displacement @ Nominal speed		37.5 m ³ /h @ 2900 rpm
Net weight		62 kg
Oil charge		3.9 litre, POE - 160Z
Maximum system test pressure Low Side / High side		25 bar(g) / 30 bar(g)
Maximum differential test pressure		30 bar
Maximum number of starts per hour		12
Refrigerant charge limit		10 kg
Approved refrigerants		R404A - R507A

Dimensions


D=352 mm
H=519 mm
H1=233 mm
H2=125 mm

Electrical Characteristics

Nominal voltage	230V/3/50Hz
Voltage range	207-253 V
Winding resistance (between phases) +/- 7% at 25°C	0.63 Ω
Maximum Continuous Current (MCC)	35 A
Locked Rotor Amps (LRA)	126 A
Motor protection	Internal overload protector

Terminal box

Recommended Installation torques

Oil sight glass	50 Nm
Power connections / Earth connection	3 Nm / 2 Nm
Mounting bolts	50 Nm

Parts shipped with compressor

Mounting kit with grommets, bolts, nuts, sleeves and washers
Suction & Discharge solder sleeves, rotolock nuts and gaskets (shipped with rotolock version only)
Initial oil charge
Installation instructions

IP54 (with cable gland)

- 1: Screw connectors 10-32 UNF x 9.5
- 2: Earth M4-12, torque 2 Nm (17 in.lb)
- 3: Knock-out Ø 29 mm (1.14")
- 4: Hole Ø 29 mm (1.14")

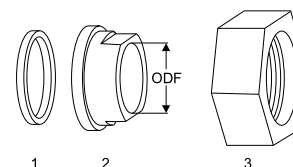
Approvals : CE certified, -, -

*Singlepack: Compressor in cardboard box

**Industrial pack: 6 Unboxed compressors on pallet (order per multiples of 6)

Rotolock accessories, suction side
Code no.

"Solder sleeve, P02 (1-3/4" Rotolock, 1-1/8" ODF)"	8153004
"Angle adapter, C02 (1-3/4" Rotolock, 1-1/8" ODF)"	8168005
"Rotolock valve, V02 (1-3/4" Rotolock, 1-1/8" ODF)"	8168028
"Gasket, 1-3/4"	8156132

Gaskets, sleeves and nuts


- 1: Gasket
- 2: Solder sleeve
- 3: Rotolock nut

Rotolock accessories, discharge side
Code no.

"Solder sleeve, P04 (1-1/4" Rotolock, 3/4" ODF)"	8153008
"Angle adapter, C04 (1-1/4" Rotolock, 3/4" ODF)"	8168006
"Rotolock valve, V04 (1-1/4" Rotolock, 3/4" ODF)"	8168029
"Gasket, 1-1/4"	8156131

Rotolock accessories, sets
Code no.

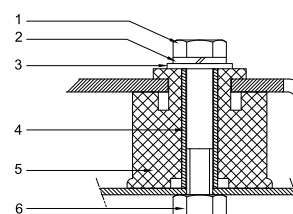
"Angle adapter set, C02 (1-3/4"~1-1/8"), C04 (1-1/4"~3/4)"	7703014
"Valve set, V02 (1-3/4"~1-1/8"), V04 (1-1/4"~3/4)"	7703009
"Gasket set, 1", 1-1/4", 1-3/4", OSG gaskets black & white"	8156009

Oil / lubricants
Code no.

POE lubricant, 160Z, 1 litre can	7754025
POE lubricant, 160Z, 2 litre can	7754026

Crankcase heaters
Code no.

PTC crankcase heater, 35 W, incl. heat transfer paste	7773001
PTC crankcase heater, 35 W, mounting without paste	7773125
Belt type crankcase heater, 75 W, 110 V, CE mark, UL	7773110
Belt type crankcase heater, 75 W, 230 V, CE mark, UL	7773108
Belt type crankcase heater, 75 W, 240 V, UL	7773004

Mounting kit


- 1: Bolt (4x)
- 2: Lock washer (4x)
- 3: Flat washer (4x)
- 4: Sleeve (4x)
- 5: Grommet (4x)
- 6: Nut (4x)

Miscellaneous accessories
Code no.

Acoustic hood for 4 cylinder compressor	7755003
Oil equalisation nut	8153127

Spare parts
Code no.

Mounting kit with bolts for 4 cylinder compressor	8156007
Sight glass with gaskets (black & white)	8156019
"Gasket for oil sight glass, 1-1/8" (black chloroprene)"	8156145
Cover + clamp for terminal box 96 x 115 mm	8156135
T block connector 52 x 57 mm	8173230

Performance data at 50 Hz, EN 12900 rating conditions
R404A

Cond. temp. in °C (tc)	Evaporating temperature in °C (to)							
	-45	-40	-35	-30	-25	-20		

Cooling capacity in W

30	2 177	3 430	4 973	6 846	9 088	11 737	-	-	-
35	1 662	2 875	4 369	6 182	8 355	10 927	-	-	-
40	1 120	2 270	3 690	5 421	7 502	9 971	-	-	-
45	581	1 643	2 967	4 591	6 555	8 899	-	-	-
50	-	1 024	2 227	3 721	5 545	7 738	-	-	-
55	-	440	1 498	2 838	4 498	6 518	-	-	-
60	-	-	810	1 972	3 444	5 267	-	-	-

Power input in W

30	3 107	3 875	4 569	5 160	5 624	5 931	-	-	-
35	2 908	3 780	4 596	5 328	5 951	6 436	-	-	-
40	2 630	3 603	4 539	5 410	6 190	6 850	-	-	-
45	2 267	3 339	4 392	5 399	6 332	7 166	-	-	-
50	-	2 979	4 146	5 286	6 372	7 376	-	-	-
55	-	2 516	3 796	5 067	6 302	7 474	-	-	-
60	-	-	3 334	4 733	6 115	7 452	-	-	-

Current consumption in A

30	14.47	15.57	16.72	17.86	18.94	19.93	-	-	-
35	14.54	15.67	16.88	18.12	19.33	20.48	-	-	-
40	14.37	15.58	16.90	18.30	19.70	21.07	-	-	-
45	13.88	15.23	16.73	18.33	19.98	21.62	-	-	-
50	-	14.56	16.29	18.15	20.09	22.07	-	-	-
55	-	13.51	15.52	17.69	19.99	22.35	-	-	-
60	-	-	14.34	16.89	19.59	22.38	-	-	-

Mass flow in kg/h

30	74	115	162	216	279	351	-	-	-
35	61	103	152	209	275	350	-	-	-
40	45	89	140	199	267	345	-	-	-
45	26	71	123	184	255	336	-	-	-
50	-	49	103	166	239	322	-	-	-
55	-	24	79	144	218	304	-	-	-
60	-	-	50	116	193	281	-	-	-

Coefficient of performance (C.O.P.)

30	0.70	0.89	1.09	1.33	1.62	1.98	-	-	-
35	0.57	0.76	0.95	1.16	1.40	1.70	-	-	-
40	0.43	0.63	0.81	1.00	1.21	1.46	-	-	-
45	0.26	0.49	0.68	0.85	1.04	1.24	-	-	-
50	-	0.34	0.54	0.70	0.87	1.05	-	-	-
55	-	0.17	0.39	0.56	0.71	0.87	-	-	-
60	-	-	0.24	0.42	0.56	0.71	-	-	-

Nominal performance at to = -35 °C, tc = 40 °C

Cooling capacity	3 690	W
Power input	4 539	W
Current consumption	16.90	A
Mass flow	140	kg/h
C.O.P.	0.81	

Pressure switch settings

Maximum HP switch setting	27.7	bar(g)
Minimum LP switch setting	0.1	bar(g)
LP pump down setting	0.1	bar(g)

Sound power data

Sound power level	86	dB(A)
With acoustic hood	80	dB(A)

to: Evaporating temperature at dew point

tc: Condensing temperature at dew point

Rating conditions : Superheat = 10 K , Subcooling = 0 K

All performance data +/- 5%

Performance data at 50 Hz, ARI rating conditions

R404A

Cond. temp. in °C (tc)	Evaporating temperature in °C (to)							
	-45	-40	-35	-30	-25	-20		

Cooling capacity in W

30	2 446	3 841	5 552	7 621	10 089	12 997	-	-	-
35	1 890	3 258	4 932	6 956	9 371	12 218	-	-	-
40	1 294	2 609	4 224	6 180	8 520	11 284	-	-	-
45	684	1 925	3 456	5 321	7 563	10 223	-	-	-
50	-	1 229	2 655	4 407	6 530	9 065	-	-	-
55	-	547	1 845	3 465	5 450	7 844	-	-	-
60	-	-	1 047	2 519	4 354	6 595	-	-	-

Power input in W

30	3 107	3 875	4 569	5 160	5 624	5 931	-	-	-
35	2 908	3 780	4 596	5 328	5 951	6 436	-	-	-
40	2 630	3 603	4 539	5 410	6 190	6 850	-	-	-
45	2 267	3 339	4 392	5 399	6 332	7 166	-	-	-
50	-	2 979	4 146	5 286	6 372	7 376	-	-	-
55	-	2 516	3 796	5 067	6 302	7 474	-	-	-
60	-	-	3 334	4 733	6 115	7 452	-	-	-

Current consumption in A

30	14.47	15.57	16.72	17.86	18.94	19.93	-	-	-
35	14.54	15.67	16.88	18.12	19.33	20.48	-	-	-
40	14.37	15.58	16.90	18.30	19.70	21.07	-	-	-
45	13.88	15.23	16.73	18.33	19.98	21.62	-	-	-
50	-	14.56	16.29	18.15	20.09	22.07	-	-	-
55	-	13.51	15.52	17.69	19.99	22.35	-	-	-
60	-	-	14.34	16.89	19.59	22.38	-	-	-

Mass flow in kg/h

30	74	114	161	215	277	349	-	-	-
35	61	103	152	208	273	348	-	-	-
40	45	88	139	198	265	343	-	-	-
45	26	71	123	183	254	334	-	-	-
50	-	49	103	165	237	321	-	-	-
55	-	24	79	143	217	302	-	-	-
60	-	-	50	116	192	279	-	-	-

Coefficient of performance (C.O.P.)

30	0.79	0.99	1.22	1.48	1.79	2.19	-	-	-
35	0.65	0.86	1.07	1.31	1.57	1.90	-	-	-
40	0.49	0.72	0.93	1.14	1.38	1.65	-	-	-
45	0.30	0.58	0.79	0.99	1.19	1.43	-	-	-
50	-	0.41	0.64	0.83	1.02	1.23	-	-	-
55	-	0.22	0.49	0.68	0.86	1.05	-	-	-
60	-	-	0.31	0.53	0.71	0.89	-	-	-

Nominal performance at to = -35 °C, tc = 40 °C

Cooling capacity	4 224	W
Power input	4 539	W
Current consumption	16.90	A
Mass flow	139	kg/h
C.O.P.	0.93	

Pressure switch settings

Maximum HP switch setting	27.7	bar(g)
Minimum LP switch setting	0.1	bar(g)
LP pump down setting	0.1	bar(g)

Sound power data

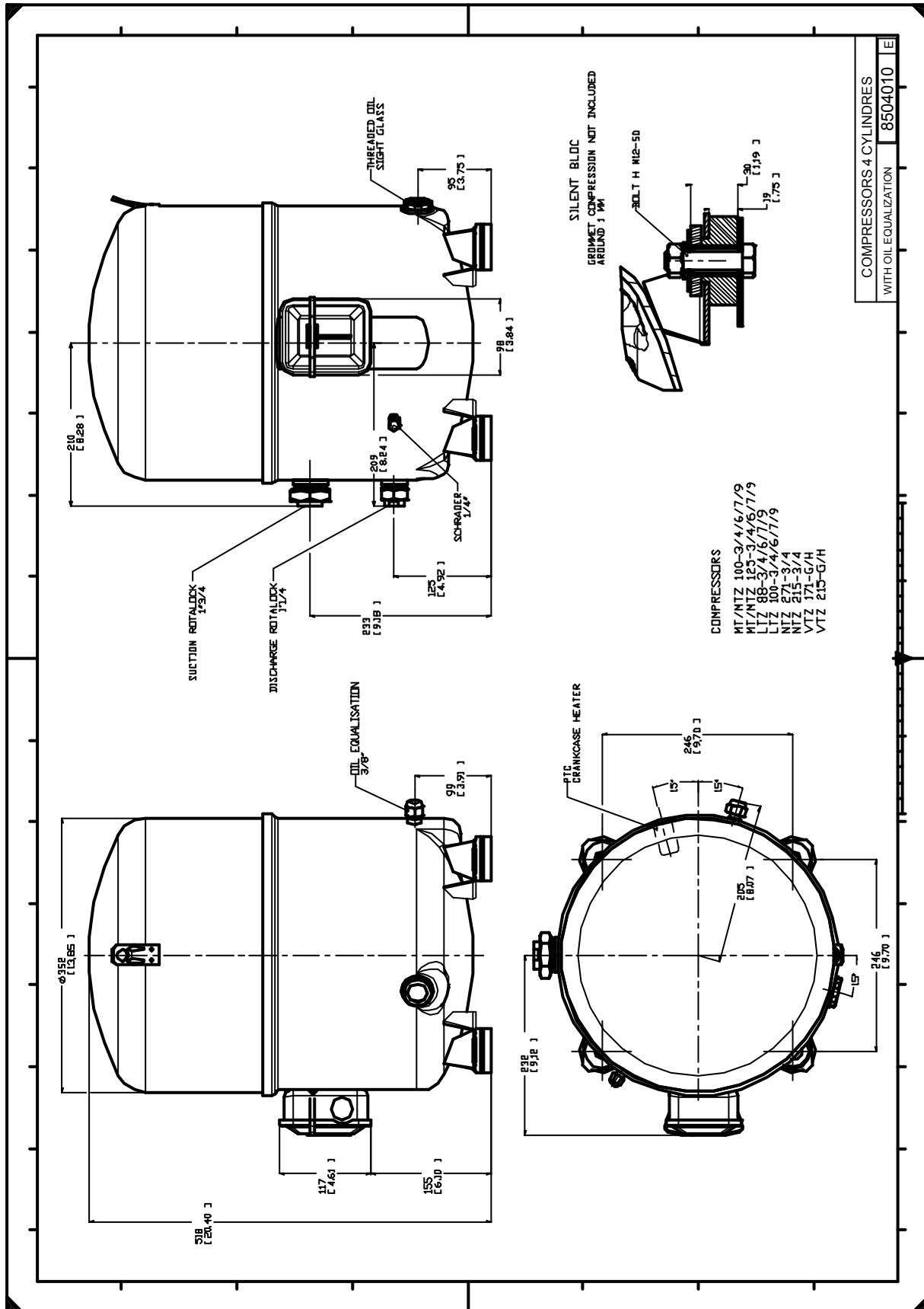
Sound power level	86	dB(A)
With acoustic hood	80	dB(A)

to: Evaporating temperature at dew point

tc: Condensing temperature at dew point

Rating conditions : Superheat = 11.1 K , Subcooling = 8.3 K

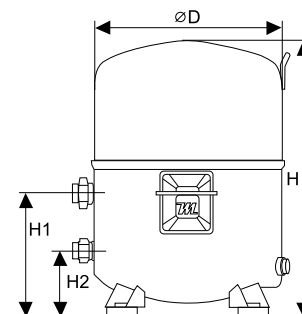
All performance data +/- 5%



Danfoss can accept no responsibility for possible errors in catalogues, brochures and other printed material. Danfoss reserves the right to alter its products without notice. This also applies to products already on order provided that such alternations can be made without subsequential changes being necessary in specifications already agreed. All trademarks in this material are property of the respective companies. Danfoss, the Danfoss logotype and Maneurop are trademarks of Danfoss A/S. All rights reserved.

General Characteristics

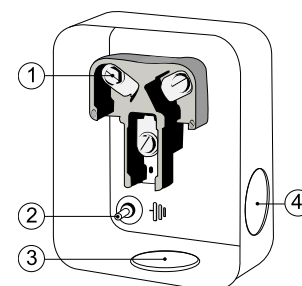
Model number (on compressor nameplate)		LTZ100HW6VE
Code number for Singlepack*		LTZ100-6V1
Code number for Industrial pack**		LTZ100-6VM
Drawing number		8504010e
Suction and discharge connections		Rotolock
Suction connection		1-3/4 " Rotolock
Discharge connection		1-1/4 " Rotolock
Suction connection with supplied sleeve		1-1/8 " ODF
Discharge connection with supplied sleeve		3/4 " ODF
Oil sight glass		Threaded
Oil equalisation connection		3/8" flare SAE
Oil drain connection		None
LP gauge port		Schrader
IPR valve		30 bar / 8 bar
Cylinders		4
Swept volume		271.55 cm ³ /rev
Displacement @ Nominal speed		47.3 m ³ /h @ 2900 rpm
Net weight		64 kg
Oil charge		3.9 litre, POE - 160Z
Maximum system test pressure Low Side / High side		25 bar(g) / 30 bar(g)
Maximum differential test pressure		30 bar
Maximum number of starts per hour		12
Refrigerant charge limit		10 kg
Approved refrigerants		R404A - R507A

Dimensions


D=352 mm
H=519 mm
H1=233 mm
H2=125 mm

Electrical Characteristics

Nominal voltage	230V/3/50Hz
Voltage range	207-253 V
Winding resistance (between phases) +/- 7% at 25°C	0.43 Ω
Maximum Continuous Current (MCC)	43 A
Locked Rotor Amps (LRA)	170 A
Motor protection	Internal overload protector

Terminal box

Recommended Installation torques

Oil sight glass	50 Nm
Power connections / Earth connection	3 Nm / 2 Nm
Mounting bolts	50 Nm

Parts shipped with compressor

Mounting kit with grommets, bolts, nuts, sleeves and washers
Suction & Discharge solder sleeves, rotolock nuts and gaskets (shipped with rotolock version only)
Initial oil charge
Installation instructions

IP54 (with cable gland)

- 1: Screw connectors 10-32 UNF x 9.5
- 2: Earth M4-12, torque 2 Nm (17 in.lb)
- 3: Knock-out Ø 29 mm (1.14")
- 4: Hole Ø 29 mm (1.14")

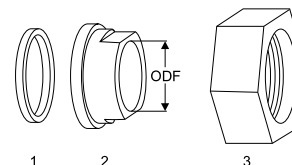
Approvals : CE certified, -, -

*Singlepack: Compressor in cardboard box

**Industrial pack: 6 Unboxed compressors on pallet (order per multiples of 6)

Rotolock accessories, suction side
Code no.

"Solder sleeve, P02 (1-3/4" Rotolock, 1-1/8" ODF)"	8153004
"Angle adapter, C02 (1-3/4" Rotolock, 1-1/8" ODF)"	8168005
"Rotolock valve, V02 (1-3/4" Rotolock, 1-1/8" ODF)"	8168028
"Gasket, 1-3/4"	8156132

Gaskets, sleeves and nuts


- 1: Gasket
- 2: Solder sleeve
- 3: Rotolock nut

Rotolock accessories, discharge side
Code no.

"Solder sleeve, P04 (1-1/4" Rotolock, 3/4" ODF)"	8153008
"Angle adapter, C04 (1-1/4" Rotolock, 3/4" ODF)"	8168006
"Rotolock valve, V04 (1-1/4" Rotolock, 3/4" ODF)"	8168029
"Gasket, 1-1/4"	8156131

Rotolock accessories, sets
Code no.

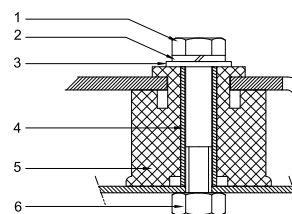
"Angle adapter set, C02 (1-3/4"~1-1/8"), C04 (1-1/4"~3/4)"	7703014
"Valve set, V02 (1-3/4"~1-1/8"), V04 (1-1/4"~3/4)"	7703009
"Gasket set, 1", 1-1/4", 1-3/4", OSG gaskets black & white"	8156009

Oil / lubricants
Code no.

POE lubricant, 160Z, 1 litre can	7754025
POE lubricant, 160Z, 2 litre can	7754026

Crankcase heaters
Code no.

PTC crankcase heater, 35 W, incl. heat transfer paste	7773001
PTC crankcase heater, 35 W, mounting without paste	7773125
Belt type crankcase heater, 75 W, 110 V, CE mark, UL	7773110
Belt type crankcase heater, 75 W, 230 V, CE mark, UL	7773108
Belt type crankcase heater, 75 W, 240 V, UL	7773004

Mounting kit


- 1: Bolt (4x)
- 2: Lock washer (4x)
- 3: Flat washer (4x)
- 4: Sleeve (4x)
- 5: Grommet (4x)
- 6: Nut (4x)

Miscellaneous accessories
Code no.

Acoustic hood for 4 cylinder compressor	7755003
Oil equalisation nut	8153127

Spare parts
Code no.

Mounting kit with bolts for 4 cylinder compressor	8156007
Sight glass with gaskets (black & white)	8156019
"Gasket for oil sight glass, 1-1/8" (black chloroprene)"	8156145
Cover + clamp for terminal box 96 x 115 mm	8156135
T block connector 52 x 57 mm	8173230

Performance data at 50 Hz, EN 12900 rating conditions
R404A

Cond. temp. in °C (tc)	Evaporating temperature in °C (to)							
	-45	-40	-35	-30	-25	-20		

Cooling capacity in W

30	3 628	5 201	7 092	9 349	12 020	15 155	-	-	-
35	3 002	4 551	6 408	8 620	11 237	14 307	-	-	-
40	2 316	3 808	5 597	7 731	10 259	13 229	-	-	-
45	1 606	3 007	4 694	6 716	9 121	11 959	-	-	-
50	-	2 184	3 736	5 612	7 861	10 532	-	-	-
55	-	1 374	2 757	4 454	6 513	8 983	-	-	-
60	-	-	1 794	3 278	5 113	7 349	-	-	-

Power input in W

30	4 114	4 934	5 656	6 283	6 820	7 271	-	-	-
35	3 955	4 928	5 807	6 596	7 301	7 925	-	-	-
40	3 673	4 804	5 847	6 806	7 685	8 488	-	-	-
45	3 249	4 546	5 760	6 894	7 954	8 943	-	-	-
50	-	4 136	5 527	6 843	8 089	9 270	-	-	-
55	-	3 556	5 130	6 634	8 074	9 454	-	-	-
60	-	-	4 551	6 251	7 891	9 475	-	-	-

Current consumption in A

30	14.04	15.33	16.74	18.24	19.79	21.36	-	-	-
35	13.83	15.43	17.07	18.74	20.40	22.01	-	-	-
40	13.26	15.25	17.22	19.15	21.01	22.76	-	-	-
45	12.24	14.71	17.11	19.40	21.55	23.52	-	-	-
50	-	13.76	16.67	19.40	21.93	24.22	-	-	-
55	-	12.30	15.81	19.09	22.09	24.79	-	-	-
60	-	-	14.47	18.38	21.95	25.15	-	-	-

Mass flow in kg/h

30	125	175	231	296	369	454	-	-	-
35	112	164	224	292	370	459	-	-	-
40	94	150	212	284	365	458	-	-	-
45	73	130	196	270	355	451	-	-	-
50	-	106	174	251	339	439	-	-	-
55	-	76	146	226	316	419	-	-	-
60	-	-	112	194	287	393	-	-	-

Coefficient of performance (C.O.P.)

30	0.88	1.05	1.25	1.49	1.76	2.08	-	-	-
35	0.76	0.92	1.10	1.31	1.54	1.81	-	-	-
40	0.63	0.79	0.96	1.14	1.33	1.56	-	-	-
45	0.49	0.66	0.81	0.97	1.15	1.34	-	-	-
50	-	0.53	0.68	0.82	0.97	1.14	-	-	-
55	-	0.39	0.54	0.67	0.81	0.95	-	-	-
60	-	-	0.39	0.52	0.65	0.78	-	-	-

Nominal performance at to = -35 °C, tc = 40 °C

Cooling capacity	5 597	W
Power input	5 847	W
Current consumption	17.22	A
Mass flow	212	kg/h
C.O.P.	0.96	

Pressure switch settings

Maximum HP switch setting	27.7	bar(g)
Minimum LP switch setting	0.1	bar(g)
LP pump down setting	0.1	bar(g)

Sound power data

Sound power level	86	dB(A)
With acoustic hood	80	dB(A)

to: Evaporating temperature at dew point

tc: Condensing temperature at dew point

Rating conditions : Superheat = 10 K , Subcooling = 0 K

All performance data +/- 5%

Performance data at 50 Hz, ARI rating conditions
R404A

Cond. temp. in °C (tc)	Evaporating temperature in °C (to)							
	-45	-40	-35	-30	-25	-20		

Cooling capacity in W

30	4 076	5 825	7 917	10 407	13 344	16 781	-	-	-
35	3 414	5 157	7 234	9 699	12 603	15 998	-	-	-
40	2 675	4 378	6 406	8 813	11 651	14 971	-	-	-
45	1 891	3 521	5 468	7 784	10 524	13 738	-	-	-
50	-	2 621	4 453	6 648	9 258	12 337	-	-	-
55	-	1 707	3 394	5 438	7 892	10 809	-	-	-
60	-	-	2 320	4 188	6 464	9 202	-	-	-

Power input in W

30	4 114	4 934	5 656	6 283	6 820	7 271	-	-	-
35	3 955	4 928	5 807	6 596	7 301	7 925	-	-	-
40	3 673	4 804	5 847	6 806	7 685	8 488	-	-	-
45	3 249	4 546	5 760	6 894	7 954	8 943	-	-	-
50	-	4 136	5 527	6 843	8 089	9 270	-	-	-
55	-	3 556	5 130	6 634	8 074	9 454	-	-	-
60	-	-	4 551	6 251	7 891	9 475	-	-	-

Current consumption in A

30	14.04	15.33	16.74	18.24	19.79	21.36	-	-	-
35	13.83	15.43	17.07	18.74	20.40	22.01	-	-	-
40	13.26	15.25	17.22	19.15	21.01	22.76	-	-	-
45	12.24	14.71	17.11	19.40	21.55	23.52	-	-	-
50	-	13.76	16.67	19.40	21.93	24.22	-	-	-
55	-	12.30	15.81	19.09	22.09	24.79	-	-	-
60	-	-	14.47	18.38	21.95	25.15	-	-	-

Mass flow in kg/h

30	124	174	230	294	367	451	-	-	-
35	111	164	223	291	368	456	-	-	-
40	94	149	211	282	363	455	-	-	-
45	72	130	195	269	353	449	-	-	-
50	-	105	173	249	337	436	-	-	-
55	-	76	145	224	314	417	-	-	-
60	-	-	112	193	285	391	-	-	-

Coefficient of performance (C.O.P.)

30	0.99	1.18	1.40	1.66	1.96	2.31	-	-	-
35	0.86	1.05	1.25	1.47	1.73	2.02	-	-	-
40	0.73	0.91	1.10	1.29	1.52	1.76	-	-	-
45	0.58	0.77	0.95	1.13	1.32	1.54	-	-	-
50	-	0.63	0.81	0.97	1.14	1.33	-	-	-
55	-	0.48	0.66	0.82	0.98	1.14	-	-	-
60	-	-	0.51	0.67	0.82	0.97	-	-	-

Nominal performance at to = -35 °C, tc = 40 °C

Cooling capacity	6 406	W
Power input	5 847	W
Current consumption	17.22	A
Mass flow	211	kg/h
C.O.P.	1.10	

Pressure switch settings

Maximum HP switch setting	27.7	bar(g)
Minimum LP switch setting	0.1	bar(g)
LP pump down setting	0.1	bar(g)

Sound power data

Sound power level	86	dB(A)
With acoustic hood	80	dB(A)

to: Evaporating temperature at dew point

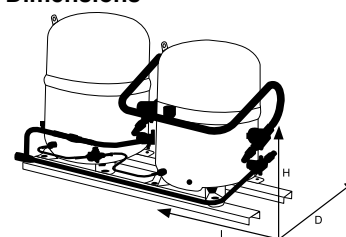
tc: Condensing temperature at dew point

Rating conditions : Superheat = 11.1 K , Subcooling = 8.3 K

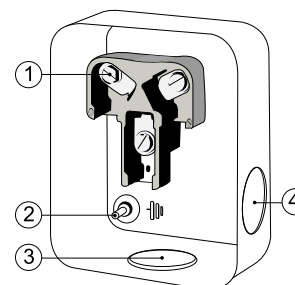
All performance data +/- 5%

General Characteristics

Model number (on tandem nameplate)	LTZ176T6SA
Code number for Singlepack*	LTZ176T6SA
Drawing number	8504016b1
Composition	2 x LTZ88HU6VE
Suction and discharge connections	Brazed
Suction connection	1-5/8" ODF
Discharge connection	1-1/8" ODF
Oil sight glass (per compressor)	Threaded
Oil equalisation connections	Interconnected
Oil drain connection (per compressor)	None
LP gauge port (per compressor)	Schrader
IPR valve (per compressor)	30 bar / 8 bar
Cylinders	4 + 4
Swept volume	430.88 cm ³ /rev
Displacement @ Nominal speed	75.0 m ³ /h @ 2900 rpm
Net weight	138 kg
Oil charge	7.8 litre, POE - 160Z
Maximum system test pressure Low Side / High side	25 bar(g) / 30 bar(g)
Maximum differential test pressure	30 bar
Maximum number of starts per hour	12
Refrigerant charge limit	20 kg
Approved refrigerants	R404A - R507A

Dimensions


L = 925 mm
D = 515 mm
H = 544 mm

Terminal box (per compressor)


IP54 (with cable gland)

- 1: Screw connectors 10-32 UNF x 9.5
- 2: Earth M4-12, torque 2 Nm (17 in.lb)
- 3: Knock-out Ø 29 mm (1.14")
- 4: Hole Ø 29 mm (1.14")

Electrical Characteristics

Nominal voltage	230V/3/50Hz
Voltage range	207-253 V
Winding resistance (between phases) +/- 7% at 25°C (per compressor)	0.63 + 0.63 Ω
Maximum Continuous Current (MCC) (per compressor)	35 + 35 A
Locked Rotor Amps (LRA) (per compressor)	126 + 126 A
Motor protection (per compressor)	Internal overload protector

Recommended Installation torques

Oil sight glass	50 Nm
Power connections / Earth connection	3 Nm / 2 Nm

Parts shipped with tandem unit

Initial oil charge
Installation instructions

Approvals : Individual compressors CE certified, -, -

*Singlepack: Compressor in cardboard box on pallet

Oil / lubricants
Code no.

POE lubricant, 160Z, 1 litre can	7754025
POE lubricant, 160Z, 2 litre can	7754026

Crankcase heaters
Code no.

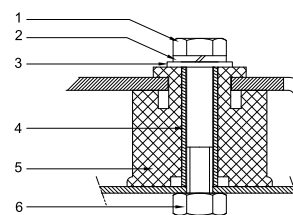
PTC crankcase heater, 35 W, incl. heat transfer paste	7773001
PTC crankcase heater, 35 W, mounting without paste	7773125
Belt type crankcase heater, 75 W, 110 V, CE mark, UL	7773110
Belt type crankcase heater, 75 W, 230 V, CE mark, UL	7773108
Belt type crankcase heater, 75 W, 240 V, UL	7773004

Miscellaneous accessories
Code no.

Acoustic hood for 4 cylinder compressor	7755003
---	---------

Spare parts
Code no.

Mounting kit with bolts for 4 cylinder compressor	8156007
Sight glass with gaskets (black & white)	8156019
"Gasket for oil sight glass, 1-1/8"" (black chloroprene)"	8156145
Cover + clamp for terminal box 96 x 115 mm	8156135
T block connector 52 x 57 mm	8173230

Mounting kit


- 1: Bolt (4x)
- 2: Lock washer (4x)
- 3: Flat washer (4x)
- 4: Sleeve (4x)
- 5: Grommet (4x)
- 6: Nut (4x)

Performance data at 50 Hz, EN 12900 rating conditions

R404A

Cond. temp. in °C (tc)	Evaporating temperature in °C (to)							
	-45	-40	-35	-30	-25	-20		

Cooling capacity in W

30	4 355	6 861	9 947	13 692	18 175	23 475	-	-	-
35	3 323	5 750	8 737	12 365	16 710	21 854	-	-	-
40	2 240	4 540	7 381	10 842	15 003	19 942	-	-	-
45	1 162	3 287	5 934	9 182	13 111	17 798	-	-	-
50	-	2 048	4 454	7 441	11 089	15 477	-	-	-
55	-	880	2 997	5 676	8 996	13 037	-	-	-
60	-	-	1 620	3 943	6 888	10 534	-	-	-

Power input in W

30	6 215	7 751	9 138	10 322	11 248	11 863	-	-	-
35	5 818	7 561	9 193	10 659	11 904	12 875	-	-	-
40	5 263	7 209	9 081	10 823	12 382	13 703	-	-	-
45	4 537	6 681	8 787	10 801	12 668	14 336	-	-	-
50	-	5 962	8 298	10 578	12 749	14 757	-	-	-
55	-	5 039	7 599	10 141	12 610	14 954	-	-	-
60	-	-	6 677	9 475	12 238	14 912	-	-	-

Current consumption in A

30	28.95	31.14	33.43	35.71	37.88	39.84	-	-	-
35	29.08	31.33	33.74	36.22	38.65	40.95	-	-	-
40	28.71	31.13	33.78	36.57	39.38	42.12	-	-	-
45	27.73	30.43	33.42	36.62	39.92	43.22	-	-	-
50	-	29.07	32.53	36.25	40.14	44.10	-	-	-
55	-	26.94	30.96	35.32	39.91	44.64	-	-	-
60	-	-	28.60	33.70	39.10	44.71	-	-	-

Mass flow in kg/h

30	141	223	318	427	554	700	-	-	-
35	114	200	299	413	545	697	-	-	-
40	81	170	273	392	529	687	-	-	-
45	42	134	240	363	505	669	-	-	-
50	-	90	199	326	473	641	-	-	-
55	-	39	151	281	431	604	-	-	-
60	-	-	93	226	381	558	-	-	-

Coefficient of performance (C.O.P.)

30	0.70	0.89	1.09	1.33	1.62	1.98	-	-	-
35	0.57	0.76	0.95	1.16	1.40	1.70	-	-	-
40	0.43	0.63	0.81	1.00	1.21	1.46	-	-	-
45	0.26	0.49	0.68	0.85	1.03	1.24	-	-	-
50	-	0.34	0.54	0.70	0.87	1.05	-	-	-
55	-	0.17	0.39	0.56	0.71	0.87	-	-	-
60	-	-	0.24	0.42	0.56	0.71	-	-	-

Nominal performance at to = -35 °C, tc = 40 °C

Cooling capacity	7 381	W
Power input	9 081	W
Current consumption	33.78	A
Mass flow	273	kg/h
C.O.P.	0.81	

Pressure switch settings

Maximum HP switch setting	27.7	bar(g)
Minimum LP switch setting	0.1	bar(g)
LP pump down setting	0.1	bar(g)

Sound power data

Sound power level	89	dB(A)
With acoustic hood	83	dB(A)

to: Evaporating temperature at dew point

tc: Condensing temperature at dew point

Rating conditions : Superheat = 10 K , Subcooling = 0 K

All performance data +/- 5%

Performance data at 50 Hz, ARI rating conditions
R404A

Cond. temp. in °C (tc)	Evaporating temperature in °C (to)							
	-45	-40	-35	-30	-25	-20		

Cooling capacity in W

30	4 893	7 683	11 105	15 242	20 177	25 994	-	-	-
35	3 780	6 515	9 864	13 912	18 742	24 437	-	-	-
40	2 587	5 219	8 449	12 361	17 039	22 568	-	-	-
45	1 368	3 849	6 912	10 643	15 126	20 445	-	-	-
50	-	2 458	5 309	8 815	13 060	18 130	-	-	-
55	-	1 094	3 690	6 930	10 901	15 687	-	-	-
60	-	-	2 095	5 038	8 709	13 190	-	-	-

Power input in W

30	6 215	7 751	9 138	10 322	11 248	11 863	-	-	-
35	5 818	7 561	9 193	10 659	11 904	12 875	-	-	-
40	5 263	7 209	9 081	10 823	12 382	13 703	-	-	-
45	4 537	6 681	8 787	10 801	12 668	14 336	-	-	-
50	-	5 962	8 298	10 578	12 749	14 757	-	-	-
55	-	5 039	7 599	10 141	12 610	14 954	-	-	-
60	-	-	6 677	9 475	12 238	14 912	-	-	-

Current consumption in A

30	28.95	31.14	33.43	35.71	37.88	39.84	-	-	-
35	29.08	31.33	33.74	36.22	38.65	40.95	-	-	-
40	28.71	31.13	33.78	36.57	39.38	42.12	-	-	-
45	27.73	30.43	33.42	36.62	39.92	43.22	-	-	-
50	-	29.07	32.53	36.25	40.14	44.10	-	-	-
55	-	26.94	30.96	35.32	39.91	44.64	-	-	-
60	-	-	28.60	33.70	39.10	44.71	-	-	-

Mass flow in kg/h

30	140	222	316	425	551	696	-	-	-
35	113	198	297	411	542	694	-	-	-
40	81	169	271	390	526	683	-	-	-
45	42	133	239	361	503	665	-	-	-
50	-	90	198	325	470	638	-	-	-
55	-	38	150	279	429	601	-	-	-
60	-	-	93	225	378	555	-	-	-

Coefficient of performance (C.O.P.)

30	0.79	0.99	1.22	1.48	1.79	2.19	-	-	-
35	0.65	0.86	1.07	1.31	1.57	1.90	-	-	-
40	0.49	0.72	0.93	1.14	1.38	1.65	-	-	-
45	0.30	0.58	0.79	0.99	1.19	1.43	-	-	-
50	-	0.41	0.64	0.83	1.02	1.23	-	-	-
55	-	0.22	0.49	0.68	0.86	1.05	-	-	-
60	-	-	0.31	0.53	0.71	0.88	-	-	-

Nominal performance at to = -35 °C, tc = 40 °C

Cooling capacity	8 449	W
Power input	9 081	W
Current consumption	33.78	A
Mass flow	271	kg/h
C.O.P.	0.93	

Pressure switch settings

Maximum HP switch setting	27.7	bar(g)
Minimum LP switch setting	0.1	bar(g)
LP pump down setting	0.1	bar(g)

Sound power data

Sound power level	89	dB(A)
With acoustic hood	83	dB(A)

to: Evaporating temperature at dew point

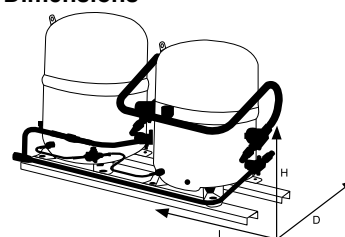
tc: Condensing temperature at dew point

Rating conditions : Superheat = 11.1 K , Subcooling = 8.3 K

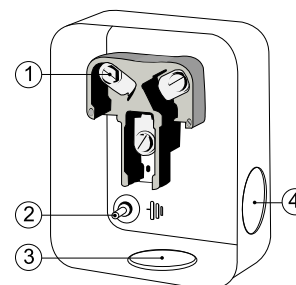
All performance data +/- 5%

General Characteristics

Model number (on tandem nameplate)	LTZ200T6SA
Code number for Singlepack*	LTZ200T6SA
Drawing number	8504016b1
Composition	2 x LTZ100HW6VE
Suction and discharge connections	Brazed
Suction connection	1-5/8" ODF
Discharge connection	1-1/8" ODF
Oil sight glass (per compressor)	Threaded
Oil equalisation connections	Interconnected
Oil drain connection (per compressor)	None
LP gauge port (per compressor)	Schrader
IPR valve (per compressor)	30 bar / 8 bar
Cylinders	4 + 4
Swept volume	534.1 cm ³ /rev
Displacement @ Nominal speed	92.9 m ³ /h @ 2900 rpm
Net weight	142 kg
Oil charge	7.8 litre, POE - 160Z
Maximum system test pressure Low Side / High side	25 bar(g) / 30 bar(g)
Maximum differential test pressure	30 bar
Maximum number of starts per hour	12
Refrigerant charge limit	20 kg
Approved refrigerants	R404A - R507A

Dimensions


L = 925 mm
D = 515 mm
H = 544 mm

Terminal box (per compressor)


IP54 (with cable gland)

- 1: Screw connectors 10-32 UNF x 9.5
- 2: Earth M4-12, torque 2 Nm (17 in.lb)
- 3: Knock-out Ø 29 mm (1.14")
- 4: Hole Ø 29 mm (1.14")

Electrical Characteristics

Nominal voltage	230V/3/50Hz
Voltage range	207-253 V
Winding resistance (between phases) +/- 7% at 25°C (per compressor)	0.43 + 0.43 Ω
Maximum Continuous Current (MCC) (per compressor)	43 + 43 A
Locked Rotor Amps (LRA) (per compressor)	170 + 170 A
Motor protection (per compressor)	Internal overload protector

Recommended Installation torques

Oil sight glass	50 Nm
Power connections / Earth connection	3 Nm / 2 Nm

Parts shipped with tandem unit

Initial oil charge
Installation instructions

Approvals : Individual compressors CE certified, -, -

*Singlepack: Compressor in cardboard box on pallet

Oil / lubricants
Code no.

POE lubricant, 160Z, 1 litre can	7754025
POE lubricant, 160Z, 2 litre can	7754026

Crankcase heaters
Code no.

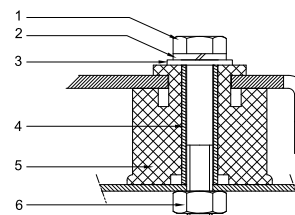
PTC crankcase heater, 35 W, incl. heat transfer paste	7773001
PTC crankcase heater, 35 W, mounting without paste	7773125
Belt type crankcase heater, 75 W, 110 V, CE mark, UL	7773110
Belt type crankcase heater, 75 W, 230 V, CE mark, UL	7773108
Belt type crankcase heater, 75 W, 240 V, UL	7773004

Miscellaneous accessories
Code no.

Acoustic hood for 4 cylinder compressor	7755003
---	---------

Spare parts
Code no.

Mounting kit with bolts for 4 cylinder compressor	8156007
Sight glass with gaskets (black & white)	8156019
"Gasket for oil sight glass, 1-1/8"" (black chloroprene)"	8156145
Cover + clamp for terminal box 96 x 115 mm	8156135
T block connector 52 x 57 mm	8173230

Mounting kit


- 1: Bolt (4x)
- 2: Lock washer (4x)
- 3: Flat washer (4x)
- 4: Sleeve (4x)
- 5: Grommet (4x)
- 6: Nut (4x)

Performance data at 50 Hz, EN 12900 rating conditions

R404A

Cond. temp. in °C (tc)	Evaporating temperature in °C (to)							
	-45	-40	-35	-30	-25	-20		

Cooling capacity in W

30	7 256	10 403	14 184	18 697	24 040	30 311	-	-	-
35	6 003	9 103	12 816	17 240	22 474	28 613	-	-	-
40	4 631	7 616	11 193	15 461	20 517	26 458	-	-	-
45	3 211	6 014	9 388	13 432	18 243	23 918	-	-	-
50	-	4 367	7 471	11 224	15 722	21 064	-	-	-
55	-	2 749	5 514	8 908	13 026	17 966	-	-	-
60	-	-	3 589	6 555	10 225	14 697	-	-	-

Power input in W

30	8 227	9 868	11 310	12 565	13 639	14 543	-	-	-
35	7 909	9 854	11 612	13 192	14 602	15 851	-	-	-
40	7 343	9 608	11 694	13 612	15 370	16 977	-	-	-
45	6 497	9 092	11 519	13 788	15 907	17 885	-	-	-
50	-	8 271	11 053	13 685	16 178	18 541	-	-	-
55	-	7 111	10 259	13 268	16 148	18 907	-	-	-
60	-	-	9 102	12 501	15 781	18 950	-	-	-

Current consumption in A

30	27.97	30.57	33.40	36.41	39.52	42.68	-	-	-
35	27.55	30.75	34.06	37.41	40.74	43.98	-	-	-
40	26.39	30.38	34.35	38.23	41.96	45.47	-	-	-
45	24.35	29.31	34.12	38.72	43.03	46.99	-	-	-
50	-	27.40	33.23	38.72	43.80	48.39	-	-	-
55	-	24.48	31.52	38.09	44.11	49.53	-	-	-
60	-	-	28.84	36.67	43.83	50.25	-	-	-

Mass flow in kg/h

30	256	355	467	595	742	910	-	-	-
35	231	335	454	589	744	920	-	-	-
40	197	306	431	573	735	919	-	-	-
45	154	268	398	546	714	906	-	-	-
50	-	220	354	507	682	881	-	-	-
55	-	160	299	457	637	842	-	-	-
60	-	-	232	394	580	790	-	-	-

Coefficient of performance (C.O.P.)

30	0.88	1.05	1.25	1.49	1.76	2.08	-	-	-
35	0.76	0.92	1.10	1.31	1.54	1.81	-	-	-
40	0.63	0.79	0.96	1.14	1.33	1.56	-	-	-
45	0.49	0.66	0.82	0.97	1.15	1.34	-	-	-
50	-	0.53	0.68	0.82	0.97	1.14	-	-	-
55	-	0.39	0.54	0.67	0.81	0.95	-	-	-
60	-	-	0.39	0.52	0.65	0.78	-	-	-

Nominal performance at to = -35 °C, tc = 40 °C

Cooling capacity	11 193	W
Power input	11 694	W
Current consumption	34.35	A
Mass flow	431	kg/h
C.O.P.	0.96	

Pressure switch settings

Maximum HP switch setting	27.7	bar(g)
Minimum LP switch setting	0.1	bar(g)
LP pump down setting	0.1	bar(g)

Sound power data

Sound power level	89	dB(A)
With acoustic hood	83	dB(A)

to: Evaporating temperature at dew point

tc: Condensing temperature at dew point

Rating conditions : Superheat = 10 K , Subcooling = 0 K

All performance data +/- 5%

Performance data at 50 Hz, ARI rating conditions

R404A

Cond. temp. in °C (tc)	Evaporating temperature in °C (to)							
	-45	-40	-35	-30	-25	-20		

Cooling capacity in W

30	8 153	11 649	15 835	20 813	26 689	33 563	-	-	-
35	6 829	10 314	14 469	19 398	25 206	31 995	-	-	-
40	5 349	8 756	12 813	17 626	23 301	29 942	-	-	-
45	3 783	7 043	10 936	15 569	21 047	27 476	-	-	-
50	-	5 242	8 906	13 295	18 516	24 674	-	-	-
55	-	3 415	6 789	10 876	15 783	21 619	-	-	-
60	-	-	4 639	8 376	12 928	18 404	-	-	-

Power input in W

30	8 227	9 868	11 310	12 565	13 639	14 543	-	-	-
35	7 909	9 854	11 612	13 192	14 602	15 851	-	-	-
40	7 343	9 608	11 694	13 612	15 370	16 977	-	-	-
45	6 497	9 092	11 519	13 788	15 907	17 885	-	-	-
50	-	8 271	11 053	13 685	16 178	18 541	-	-	-
55	-	7 111	10 259	13 268	16 148	18 907	-	-	-
60	-	-	9 102	12 501	15 781	18 950	-	-	-

Current consumption in A

30	27.97	30.57	33.40	36.41	39.52	42.68	-	-	-
35	27.55	30.75	34.06	37.41	40.74	43.98	-	-	-
40	26.39	30.38	34.35	38.23	41.96	45.47	-	-	-
45	24.35	29.31	34.12	38.72	43.03	46.99	-	-	-
50	-	27.40	33.23	38.72	43.80	48.39	-	-	-
55	-	24.48	31.52	38.09	44.11	49.53	-	-	-
60	-	-	28.84	36.67	43.83	50.25	-	-	-

Mass flow in kg/h

30	255	353	465	592	738	905	-	-	-
35	229	333	451	586	740	915	-	-	-
40	196	305	428	570	731	914	-	-	-
45	153	267	396	543	710	901	-	-	-
50	-	218	352	505	678	876	-	-	-
55	-	160	298	455	634	838	-	-	-
60	-	-	231	392	576	786	-	-	-

Coefficient of performance (C.O.P.)

30	0.99	1.18	1.40	1.66	1.96	2.31	-	-	-
35	0.86	1.05	1.25	1.47	1.73	2.02	-	-	-
40	0.73	0.91	1.10	1.29	1.52	1.76	-	-	-
45	0.58	0.77	0.95	1.13	1.32	1.54	-	-	-
50	-	0.63	0.81	0.97	1.14	1.33	-	-	-
55	-	0.48	0.66	0.82	0.98	1.14	-	-	-
60	-	-	0.51	0.67	0.82	0.97	-	-	-

Nominal performance at to = -35 °C, tc = 40 °C

Cooling capacity	12 813	W
Power input	11 694	W
Current consumption	34.35	A
Mass flow	428	kg/h
C.O.P.	1.10	

Pressure switch settings

Maximum HP switch setting	27.7	bar(g)
Minimum LP switch setting	0.1	bar(g)
LP pump down setting	0.1	bar(g)

Sound power data

Sound power level	89	dB(A)
With acoustic hood	83	dB(A)

to: Evaporating temperature at dew point

tc: Condensing temperature at dew point

Rating conditions : Superheat = 11.1 K , Subcooling = 8.3 K

All performance data +/- 5%